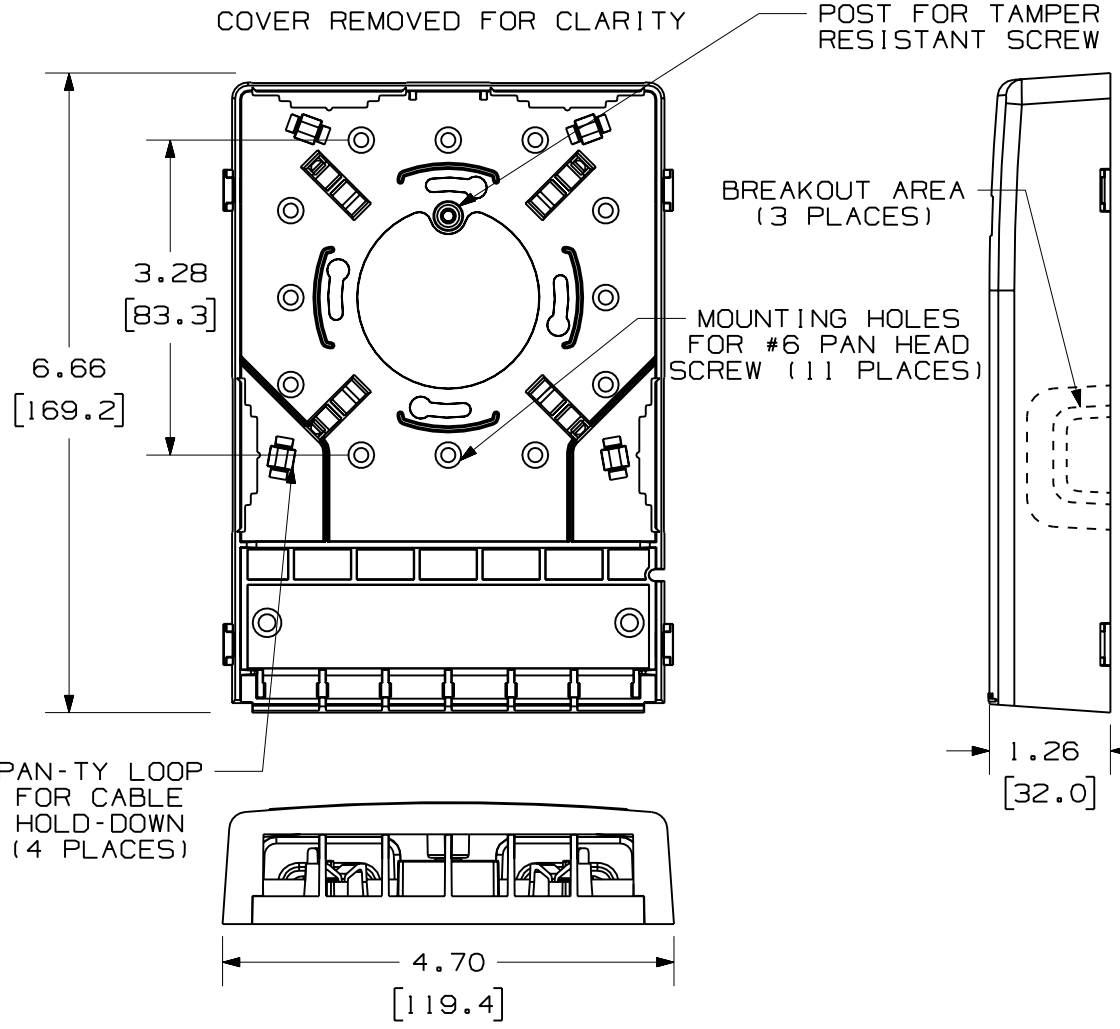
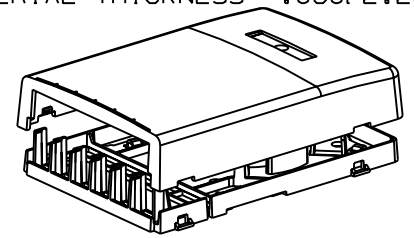


THIS COPY IS PROVIDED ON A RESTRICTED BASIS AND IS NOT TO BE USED IN ANY WAY DETRIMENTAL TO THE INTERESTS OF PANDUIT CORP.

PANDUIT PART NO.	WEIGHT
NK6BX**-AY	2.8 LB/10 PCS (1270.0 g/10 PCS)



- NOTES:
- SEE CURRENT CATALOG FOR ADDITIONAL PART NUMBER SUFFIXES TO INDICATE COLOR AND OR PACKAGE QUANTITY.
  - SEE CATALOG FOR A COMPLETE LIST OF PARTS APPLICABLE FOR USE WITH THIS PART.
  - DIMENSIONS IN PARENTHESES ARE IN METRIC.
  - ALSO INCLUDED WITH BOX:
    - 1- BOX BASE
    - 1- BOX COVER
    - 2- PLT1.51-C PAN-TY
    - 2- MOUNTING SCREW
    - 1- MOUNTING SCREW (USED TO SECURE COVER TO BASE)
    - 1- LABEL/LABEL COVER
    - 2- STRIP OF 3.00" X .75" FOAM TAPE FOR MOUNTING
  - BREAKOUTS DESIGNED TO ACCEPT LD3/LDP3 OR LD5/LDP5 LD10/LDP10 RACEWAY.
  - BASE MATERIAL THICKNESS: .090( 2.29 ).



NO WARRANTY, EXPRESSED OR IMPLIED, IS MADE BY PANDUIT WITH RESPECT TO ADHESIVE BOND PERFORMANCE. AMONG OTHER THINGS, THE CONDITIONS UNDER WHICH THESE MOUNTS MAY BE APPLIED AND/OR THE SURFACE TO WHICH THEY MAY BE APPLIED ARE BEYOND PANDUIT'S CONTROL.

DRAWING FILENAME	M02479BC_DC029_00A.PRT	SIZE	A
------------------	------------------------	------	---

### NETKEY 6 POSITION SURFACE MOUNT BOX CUSTOMER DRAWING

<p><b>PANDUIT</b><sup>®</sup> CORP. TINLEY PARK, IL 60477</p>	<p>ALL DIMENSIONS ARE GIVEN IN INCHES, UNLESS OTHERWISE SPECIFIED.</p> <p>DIMENSIONAL TOLERANCES ARE:                  (.X) ±.03    (.XXX) ±.005                  (.XX) ±.01    ANGLES ± 1°</p>	I.T. NUMBER	N/A
	<p>THIRD ANGLE PROJECTION</p>	PRODUCT SPEC	N/A
DRAWN BY	JsP	WORK INSTRUCTION	N/A
DATE	5-2-07	SCALE	NONE
CHK'D		PART NO.	NK6BX**-AY
		DRAWING NO.	02479-029

REV	DATE	BY	CHK	DESCRIPTION	ECN	R	CUST	SUP	OTH
R	5-2-07	JsP		RELEASED TO PRODUCTION	02479-029				